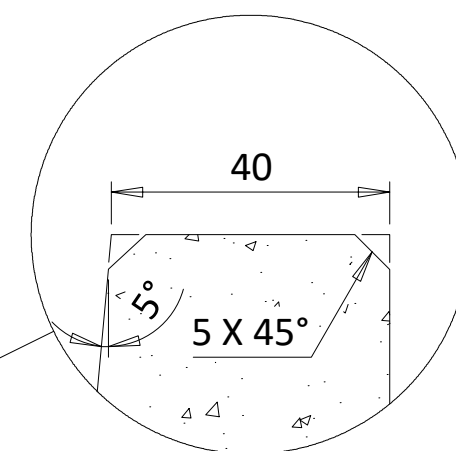
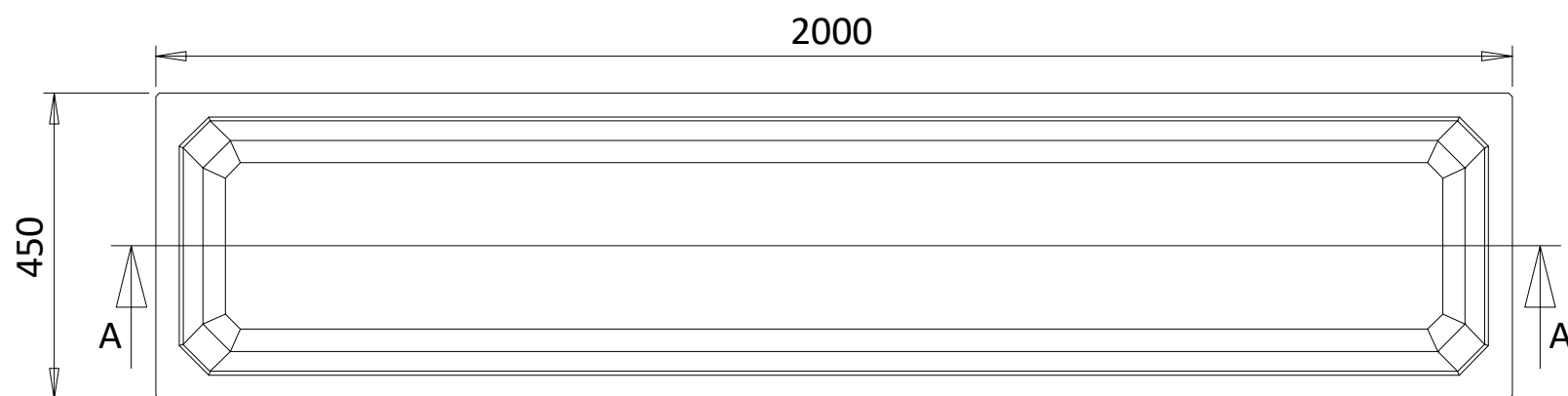


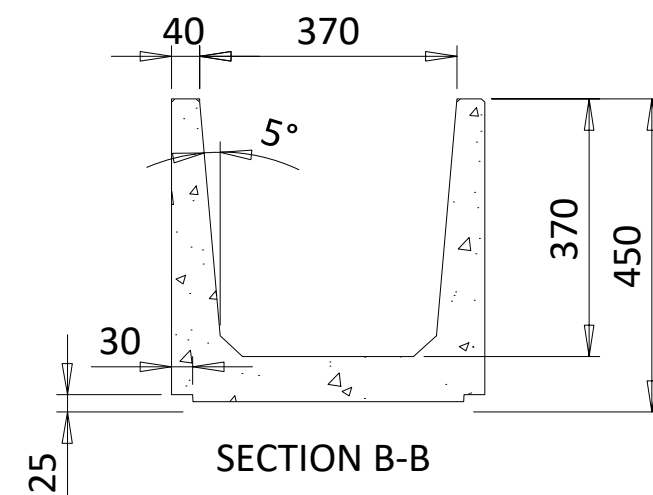
Planter Unit



DETAIL C



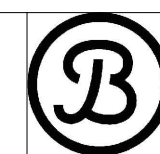
SECTION A-A



SECTION B-B

Weight Approx.
402 kg

STRATHS,
CARNDONAGH,
CO. DONEGAL,
IRELAND.
F93 D954
074 9706027
E-MAIL: INFO@BALCRETE.COM
WEBSITE: WWW.BALCRETE.COM



Balcrete
Concrete
Craftsmen